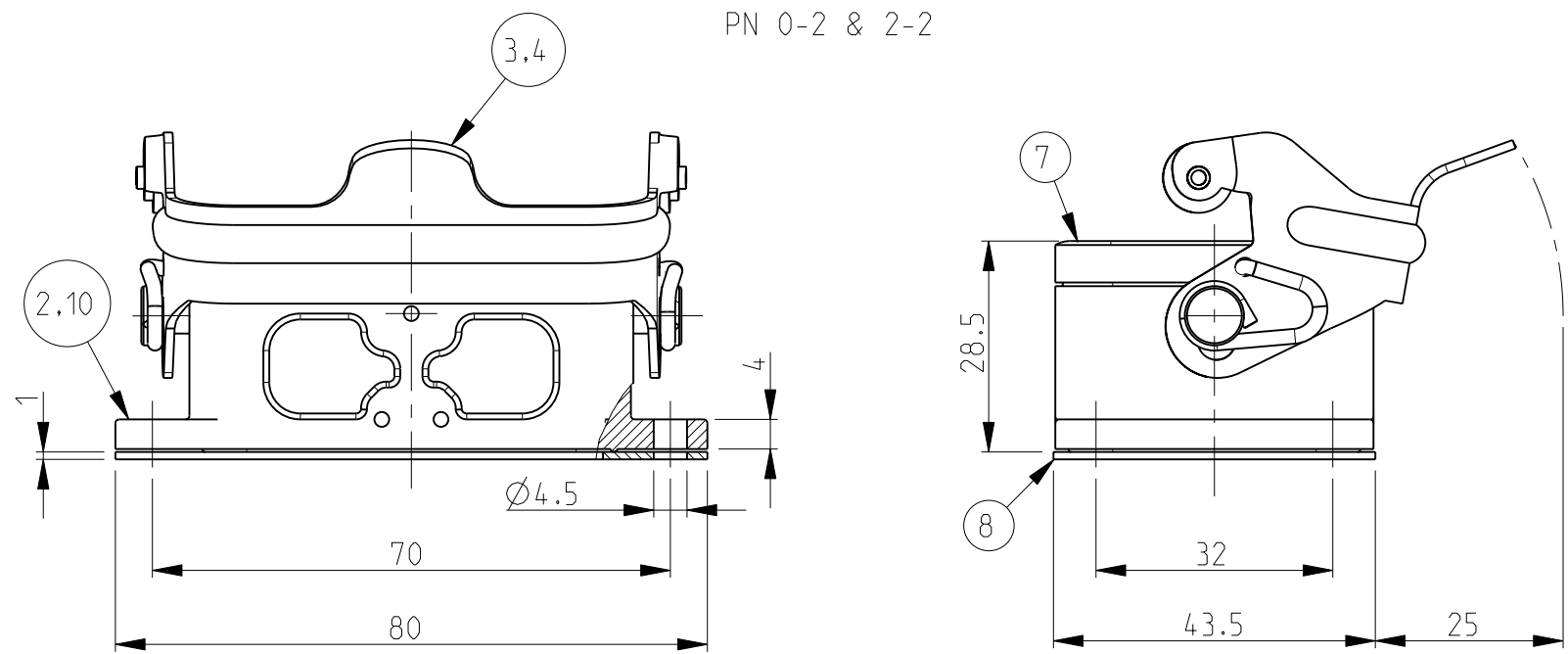


THIS DRAWING IS UNPUBLISHED. RELEASED FOR PUBLICATION .1997
 © COPYRIGHT 1997 BY TYCO ELECTRONICS CORPORATION. ALL RIGHTS RESERVED.

LOC	DIST	REVISIONS			
P	LTR	DESCRIPTION	DATE	DWN	APVD
A1		ECR - 001736	17SEP2009	GW	ST

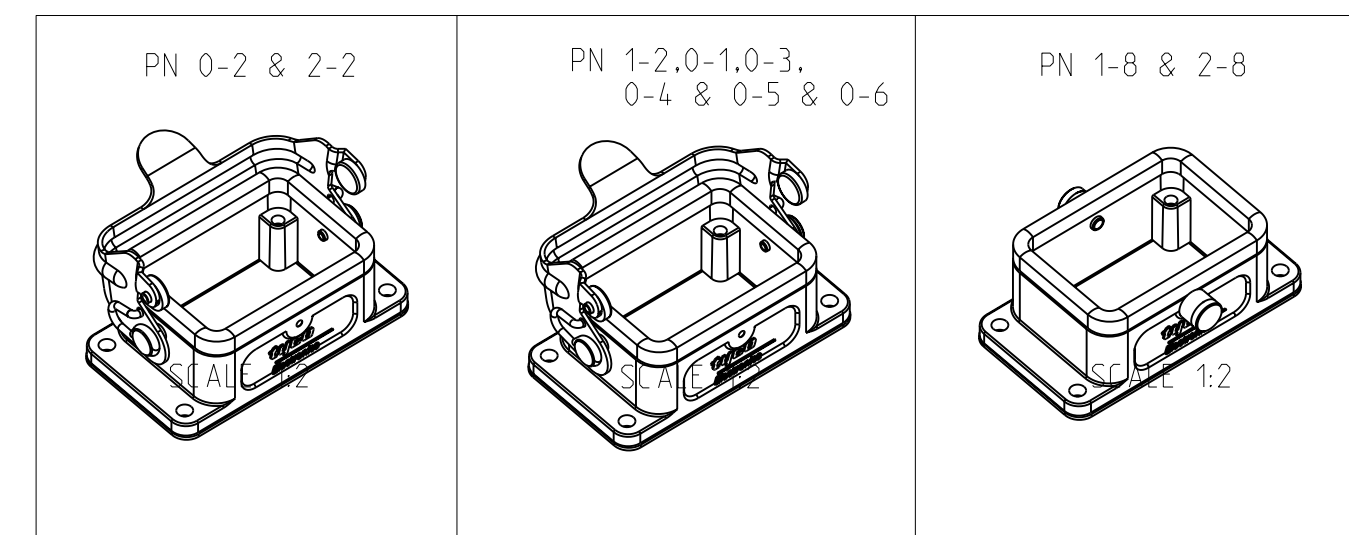
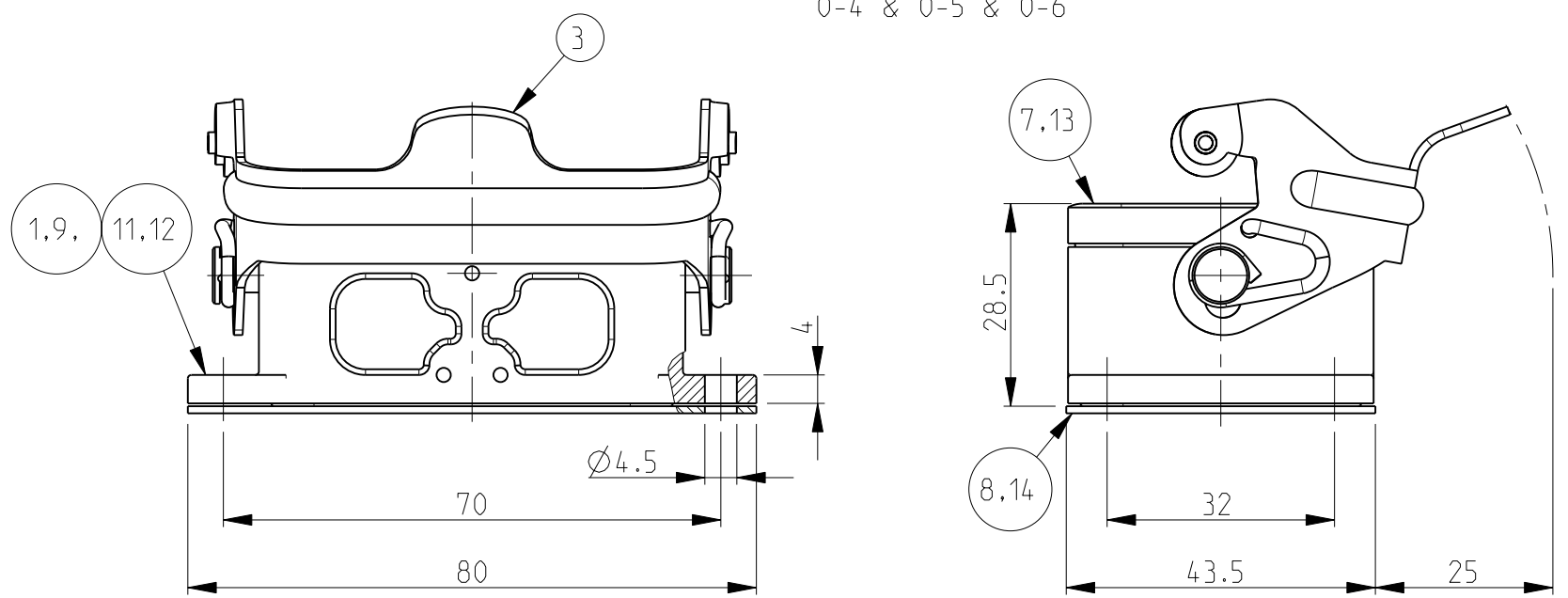
PN 0-2 & 2-2



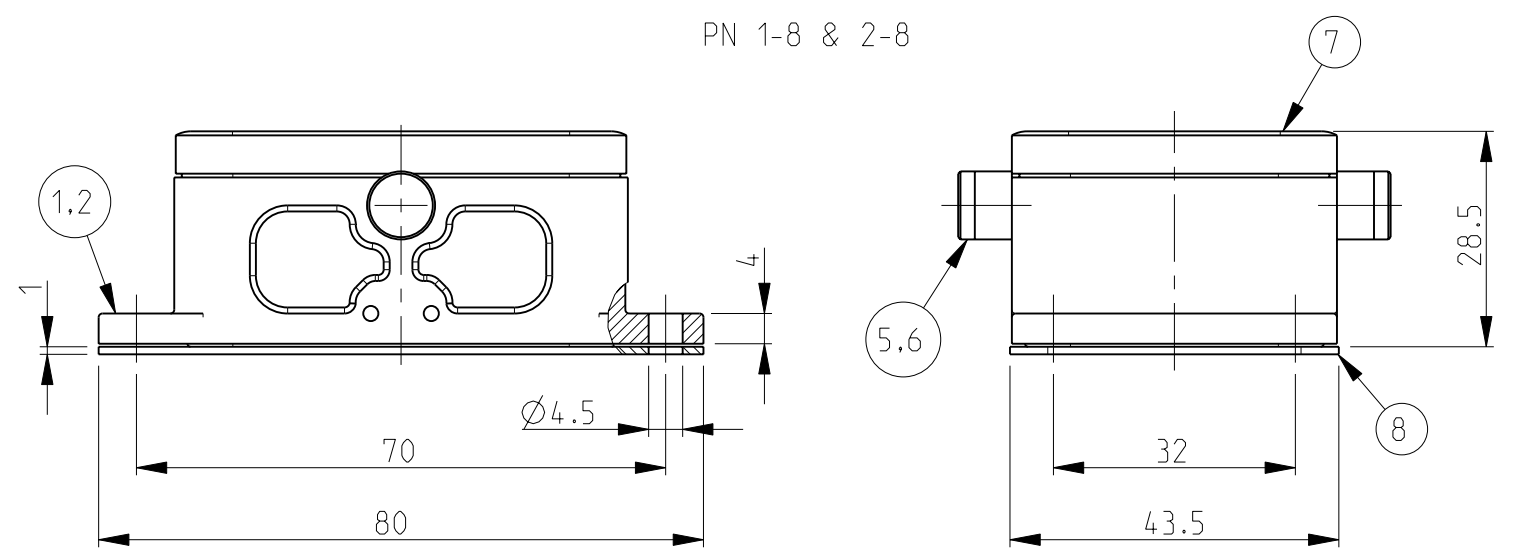
NOTES.

- 1 Material:Housing:Aluminium Diecasting Alloy
Seals: Neoprene
- 2 Surface-Varnish Grey
-Aluminium Oxide +
Varnish Black
- 3 Varnish on the inside not necessary
- 4 Packaging
Quantity 5 Pieces in a box

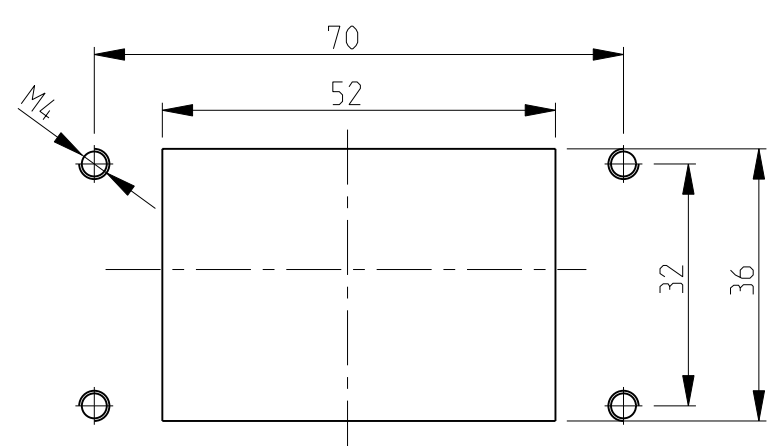
PN 1-2.0-1.0-3,
0-4 & 0-5 & 0-6



PN 1-8 & 2-8



Panel cut-out



OBSOLETE

QTY	DESCRIPTION	MATERIAL	SURFACE	COLOR	ITEM NO	NOTES
1	Flange seal	Viton			14	
1	Profile seal	Viton			13	
1	Surface mounted housing bottom entry HB	Aluminium		White RAL 9010	12	Without Logo
1	Surface mounted housing bottom entry HB	Aluminium		Grey	11	Without Logo
1	Surface mounted housing bottom entry HB	Aluminium		Without varnish	10	
1	Surface mounted housing bottom entry HB	Aluminium		Borning ried	9	
1	Flange seal	Neoprene		Black	8	
1	Profile seal	Neoprene		Black	7	
2	ZB-Clip bolt	Stainless steel			6	
2	ZB-Clip bolt	Steel	Zinc plated	Blue	5	
1	LB-Side clip	Stainless steel			4	
1	LB-Side clip	Steel	Zinc plated	Blue	3	
1	Surface mounted housing bottom entry HB-K	Aluminium	Aluminium oxide	Black	2	
1	Surface mounted housing bottom entry HB	Aluminium		Grey	1	

ORDERING TEXT

- HB.6.AG-LB
- HB-K.6.AG-LB
- HB-Z.6.AG-ZVGR
- HB-K/Z.6.AG-ZVGR
- HB.6.AG-LB
- HB.6.AG-LB
- HB.6.AG-LB
- HB.6.AG-LB
- HB.6.AG-LB
- HB.6.AG-LB
- HB.6.AG-LB
- HB.6.AG-LB
- HB.6.AG-LB

THIS DRAWING IS A CONTROLLED DOCUMENT FOR TYCO ELECTRONICS CORPORATION IT IS SUBJECT TO CHANGE AND THE CONTROLLING ENGINEERING ORGANIZATION SHOULD BE CONTACTED FOR THE LATEST REVISION.		DWN 23.07.1997 CHK Schweiger Kramer 26.06.1998 APVD	Tyco Electronics AMP GmbH D-53819, Neunkirchen, Germany
DIMENSIONS: mm 		PRODUCT SPEC 108-74001/74003 APPLICATION SPEC 114-74004/74005 WEIGHT - CUSTOMER DRAWING	NAME Surface mounted housing bottom entry HB6 SIZE A2 CAGE CODE 00779 DRAWING NO C=1102244 RESTRICTED TO - SCALE 1:1 SHEET 1 OF 1 REV A8